

LAUNCHPOINT™

ELECTRIC PROPULSION SOLUTIONS

5.5 kW Hybrid Power System 5.5 kW Peak / 5.0 kW Continuous



▼ The LaunchPoint HPS055 GenSet is a 5.5 kW, highly efficient, high specific power generator and hybrid electric power/engine controller system that utilizes patented electric machine and GenSet technology to enable extended range flight.

- Best-in-class power, efficiency and weight
- Long endurance, hybrid electric flight for UAV
- SmartPoint™ Control Software
- 3.5x greater power density than existing alternator electric machines
- Air-cooled engine, alternator and electronics
- Available today

Call +1.805.683.9659 x222 or email Sales@LaunchPointEPS.com

www.LaunchPointEPS.com

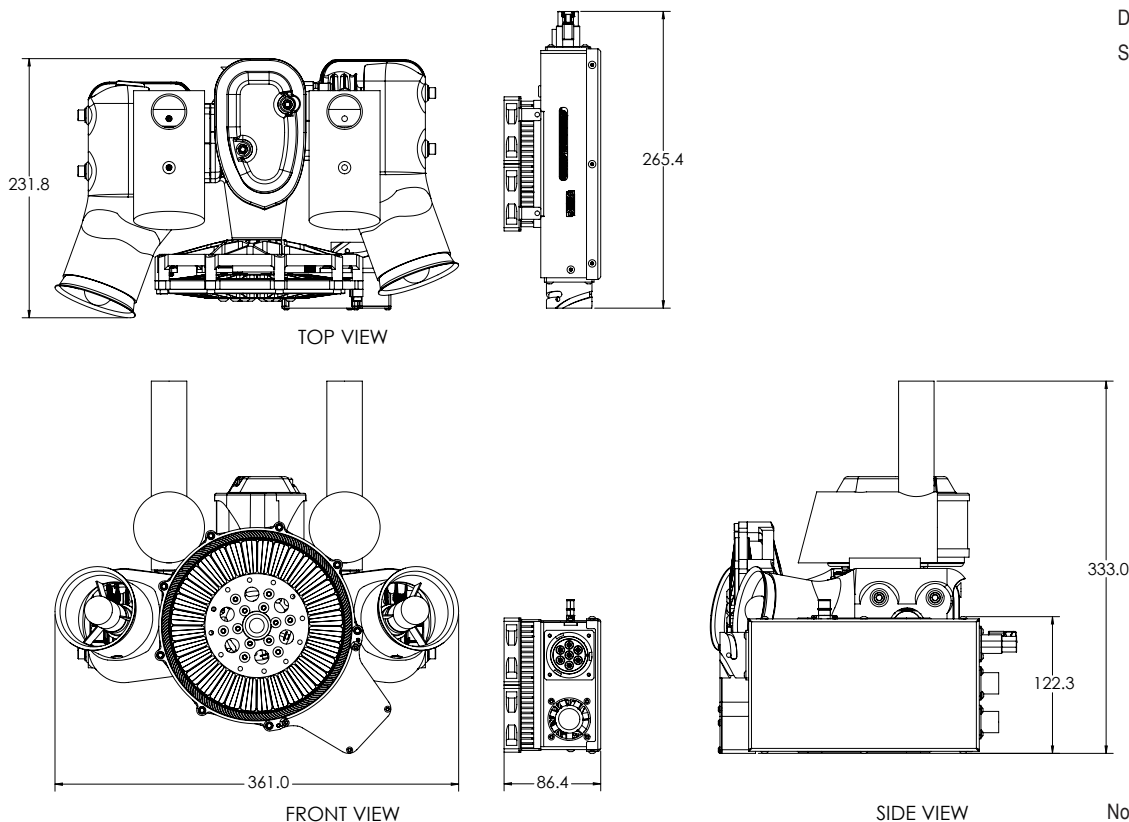
Parameters and Specifications

Parameter	Units	Value
Nominal Bus Voltage (14S)	V DC	52
Continuous Power, 25 °C Ambient Sea Level	kW	5.0
Maximum Power, 25 °C Ambient Sea Level ¹	kW	5.5
Engine		DA150
Engine Fuel	40:1	Premix
Engine Combustion Cycle		2-Stroke
Engine Cooling		Air
Fuel Consumption at 5.5 kW	g/kW*hr	650–750 ²
Complete System Weight	kg	9.5
Alternator Specifications ³		
Alternator Cooling		Air
Stator Temperature at 5.5 kW, 25 °C Ambient Sea	°C	175
Level Weight (rotor, stator, and frame)	kg	1.8

¹ Engine thermal limit dictates maximum time at maximum power level. Engine thermal limit heavily dependent upon application.

² Engine fuel consumption is application specific.

³ Alternator specifications ONLY. Alternator electric machine is capable of more power than the base engine option can output.



Data Sheet Specifications
Subject to Change

Notes
1. Units are in mm

5.5 kW Hybrid Power System Features

- CAN communications to flight controller for monitoring system status
- Battery management system enables safe in-flight battery charging
- Self-starting
- Automatic throttle control on GenSet to match bus load and share power with battery
- Air-cooled

Call +1.805.683.9659 x222 or email Sales@LaunchPointEPS.com

www.LaunchPointEPS.com